




DIN 22.5mm

Features :

- Star delta
- 2 Time ranges
- LED indications : Star Relay ON, Delta Relay ON

Certification : **Display specifications**

LED indications	Star Relay ON, Delta Relay ON
-----------------	-------------------------------

Input specifications

Accuracy	Setting : $\pm 5\%$ of F.S. Repeat : $\pm 0.5\%$ or 50msec (F.S. = Full scale)
----------	---

Output specifications

Relay contact	1 C/O Relay each for Star & Delta
Contact rating	5A @ 250V AC / 24V DC, Resistive

Functional specifications

Modes	Star - Delta
Time ranges	Runup time range : 30 / 60sec Change over : 50 / 100msec (user selectable via DIP switches)
Reset	On power interruption Reset time < 100msec

Auxiliary supply specifications

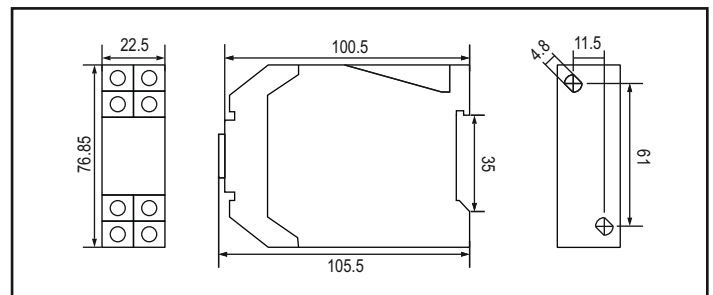
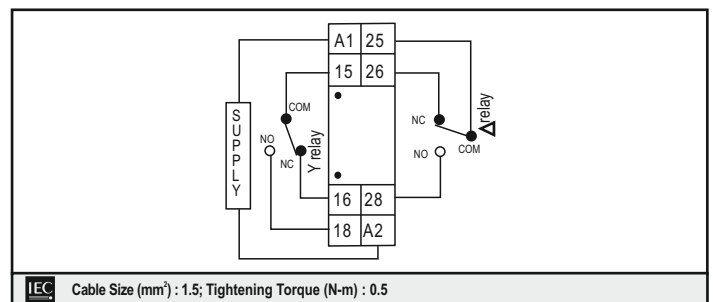
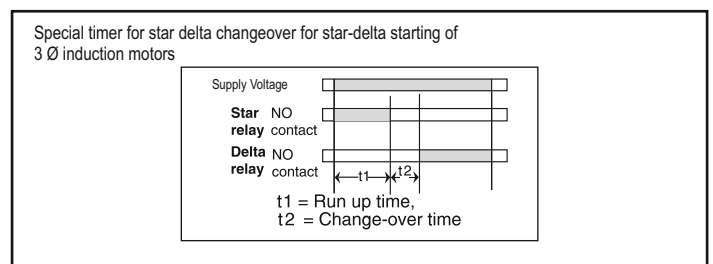
Supply voltage	230V AC / 110V AC / 230 to 450V AC (50 / 60Hz) -15% to 10% tolerance
Power consumption	10VA max

Environmental specifications

Temperature	Operating : 0 to 50°C (32 to 122°F) Storage : -20 to 75°C (-4 to 167°F)
Humidity (non - condensing)	95% RH

Mechanical specifications

Mounting	DIN rail
Weight	115 gms

Dimensions (All are in mm)**Terminal connections****Timing diagram**

Compliance

Applicable EMI / EMC standards		
Product standard		
Category	Reference standards	Testing level
Electrostatic discharge	IEC 61000-4-2	Level-3
Electrical fast transient / Brust	IEC 61000-4-4	Level-3
Electromagnetic field	IEC 61000-4-3	Level-3
Surge	IEC 61000-4-5	Level-3
Conducted RF	IEC 61000-4-6	Level-2
Rated power frequency	IEC 61000-4-8	Level-4
Voltage dip / Short interruptions	IEC 61000-4-11	Level-3
Conducted emissions	CISPR-11	Class-B
Rated emissions	CISPR-22	Class-A
Emission & Immunity	IEC 61326-1	
Safety	IEC 61010-1	
PFMF (Passing criteria)	IEC 61000-4-8	Class A

Ordering information

Product code	Supply voltage	Certification
800SD-2-230V	230V AC	---
800SD-2-230V-CE	230V AC	CE
800SD-2-110V	110V AC	---
800SD-2-415V	230 to 450V AC	---