

Features :

- Plug in module
- Easy to connect & replace in Flexys GT35, Flexys rail, Flexys Panel TX4 & EXP FLEX 2M
- Configured via selpro software
- Spring type pluggable terminals

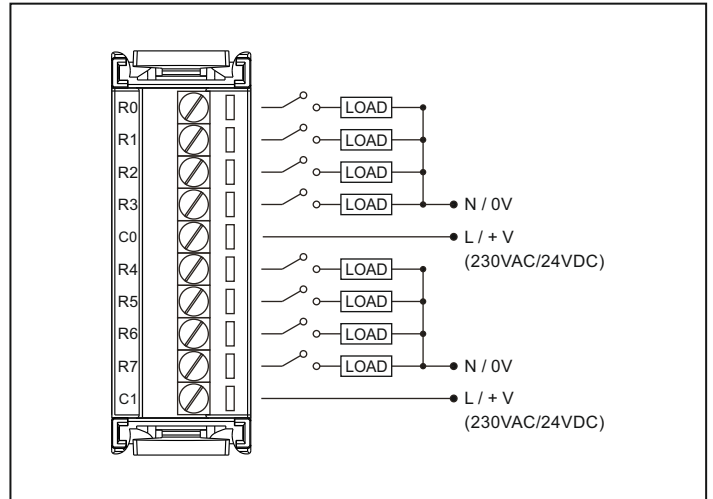
Specifications

No of outputs	8 Nos
Response time	20 ms (selectable through software via debounce parameter)
Relay output rating	NO Type : 5A @230VAC, 5A @30VDC
Isolation between outputs	2.5kV

General specifications

Ambient operating temperature	0°C to 55°C
Humidity	95%
Ambient storage temperature	-20°C to 70°C
Weight	40gms

Terminal diagram



Ordering information

Product code	Description	Certification
FL-SC-RO08-CE-RoHS	8 Channel relay output card	CE RoHS