



**Features :**

- Plug in module
- Easy to connect & replace in Flexys GT35, Flexys rail, Flexys Panel TX4 & EXP FLEX 2M
- Configured via selpro software
- Spring type pluggable terminals

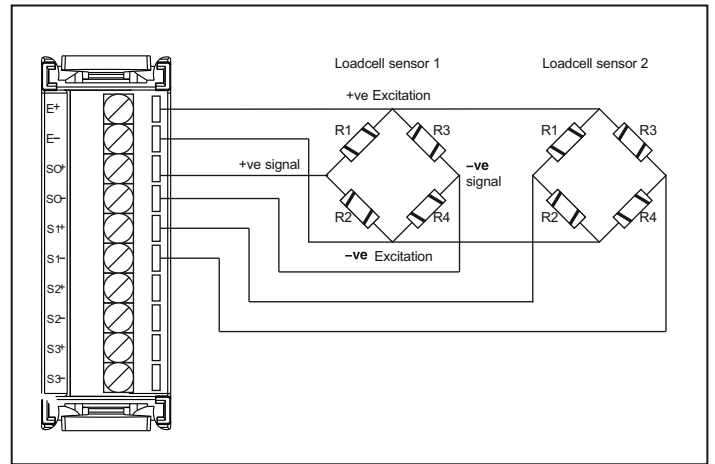
**Electrical specifications**

No. of channels	4 Channels
Measurement range	±19.5mV, ±39mV, ±1.25V, ±2.5V
Excitation output voltage	5V DC ±10%
Type of input	Differential
Digital resolution	24 Bits
Applicable sensor type	4 Wire
Input offset drift	100nV/° C
Temperature coef. span	±2.5ppm/° C
Linearity error	±0.05% full scale
Gain error	0.1%
Gain drift	3ppm/° C
Conversion time	50ms to 400ms (User configurable)
Permitted load cell resistance	350Ω
Common mode rejection @ 50/60 Hz	≥100dB

**General specifications**

Ambient operating temperature	0°C to 55°C
Humidity	95%
Ambient storage temperature	-20°C to 70°C
Weight	40gms

**Terminal diagram**



**Ordering information**

Product code	Description	Certification
FL-SC-LC04	4 Channel loadcell input card	CE RoHS in process