

Features :

- Plug in module
- Easy to connect & replace in Flexys GT35, Flexys rail, Flexys Panel TX4 & EXP FLEX 2M
- Configured via selpro software
- Spring type pluggable terminals

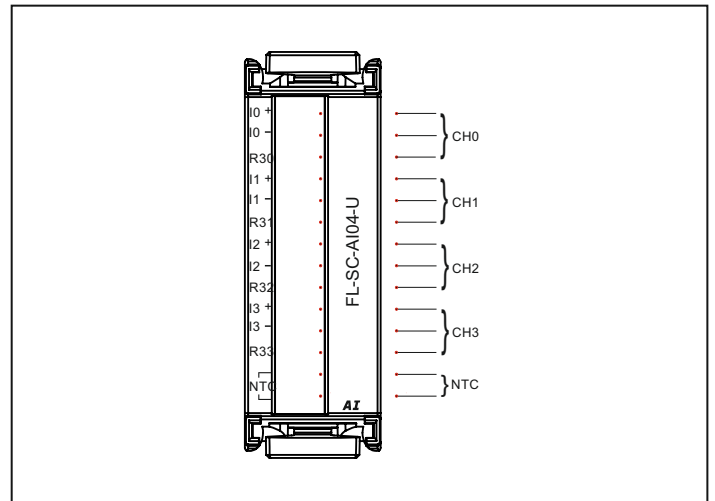
Electrical specifications

No. of channels	4 channels
Conversion time	100ms
Channel isolation	No

Input specifications

Analog inputs				
Item	Specifications			
Module	Voltage	Current	TC	RTD
Sensor type	0 - 10V DC	0 - 20mA	J, K, T, R, S, C, E, B, N, L, U, W, Platinel II, mV (5 to 65mV)	PT100
Measurement range	0 - 10V DC	0 - 20mA	As per sensor selection	-100°C to 850°C
Input impedance	≥330KΩ	≥100Ω	≥470KΩ	≥470KΩ
Accuracy	± 0.25% of full scale	± 0.25% of full scale	0.5% of full scale	0.1% of full scale
Non linearity	± 0.25% of full scale	± 0.25% of full scale	0.25% of full scale ± 1°C	0.1% of full scale ± 1°C
Under range value	<-1V	<-2mA	<-199°C	<-140°C
Over range value	>+11V	>+22mA	Depends on Sensor type	>850°C
Resolution	2.44mV	4.88mA	0.1°C	0.1°C
Digital resolution	12bits	12bits	12bits	12bits
Protection against polarity inversion	Yes	Yes	Yes	Yes

Terminal diagram

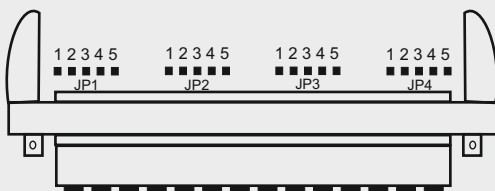


General specifications

Ambient operating temperature	0°C to 55°C
Humidity	95%
Ambient storage temperature	-20°C to 70°C
Weight	39 gms

Ordering information

Product code	Description	Certification
FL-SC-AI04-U	4 Channel analog input card – Universal (jumper selectable)	CE RoHS in process



Analog Inputs

Sensor type	Jumper Selection	Jumper No.
TC / RTD	Short Pin 1 & Pin 2	JP1,JP2,JP3,JP4 for Ch0, CH1, CH2,CH3 respectively
Current	Short Pin 2 & Pin 3	
Voltage	Short Pin 4 & Pin 5	